

Order code: **IG-NTC-BB**
Gen-set Controller

Datasheet

Product description

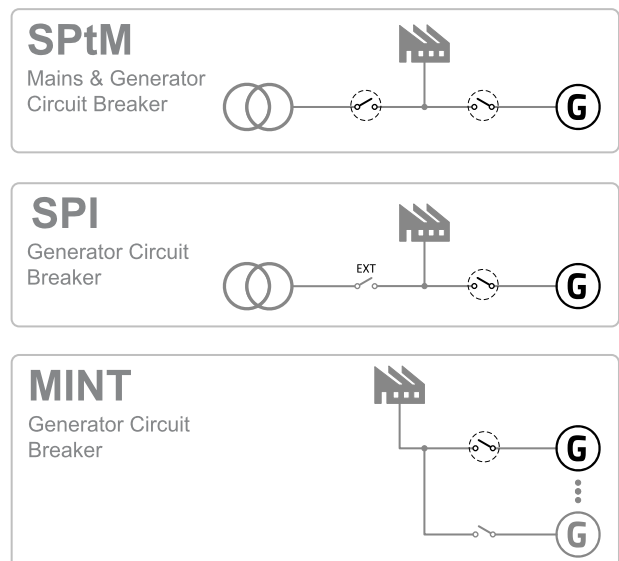
- ▶ Comprehensive paralleling gen-set controller
- ▶ Parallel operation up to 32 gen-sets
- ▶ High level control for complex systems
- ▶ CHP and gas engine controller

Key features

- ▶ Load sharing and VAr sharing via CAN
- ▶ Virtual shared inputs and outputs via CAN
- ▶ Support of wide range of applications
- ▶ Single or multiple gen-sets in parallel to mains operation with automatic back up function, multiple island operation
- ▶ Advanced power management function
- ▶ Customizable load control in parallel to mains
- ▶ Wide range of ECU support
- ▶ Extended communication capabilities
 - Built-in web server
 - Full Modbus slave support
 - GPS and AirGate support and more
- ▶ Highly configurable
 - Timers, Internal PLC , Force values and more

- ▶ Compatible with ComAp's InteliVision displays
- ▶ Active e-mail messaging and SMS
- ▶ Extensive built-in protection functions
 - Standard protections
 - User configurable protection
- ▶ Extendable with ComAp's extension modules
- ▶ True RMS (TRMS) is used with Voltage, Current and Power measurement

Application overview



Technical data

Power supply

Power supply range	8-36 V DC
Power consumption	0.4 A / 8 VDC 0.15 A / 24 VDC 0.1 A / 36 VDC
RTC battery	10 years (replaceable by official service)
Fusing	2 A (without BOUT consumption)
Max. Power Dissipation	16 W

Operating conditions

Operating temperature	-40 °C to +70 °C
Storage temperature	-40 °C to +80 °C
Max. operating altitude	2000m above sea level
Operating humidity	95 % w/o condensation
Vibration	5-25 Hz, ± 1.6 mm 25-100 Hz, a = 4 g
Shocks	a=200 m/s ²
Heat radiation	16 W

Voltage measurement

Measurement inputs	3 ph-n Gen voltage 3 ph-n Mains voltage/Bus voltage
Measurement range	110V / 277V
Max allowed voltage	125 % ph-n
Accuracy	1 % of 110V / 277V
Frequency range	40-70 Hz (accuracy 0.1 Hz) 45-55 Hz (accuracy <0.01 Hz)
Input impedance	0.6 M Ω ph-ph, 0.3 M Ω ph-n

Current measurement

Measurement inputs	3 ph Gen current 1 ph Mains current
Measurement range	1 A / 5 A
Max allowed continuous current	200 % / 200 %
Accuracy	2 % of 1 A / 5 A
Input impedance	< 0.1 Ω

Binary inputs

Number	16, non-isolated
Input resistance	4.7 k Ω
Close/Open indication	0-2 V DC close contact >4 V DC open contact

Binary outputs

Number	16, non-isolated
Max current	0.5 A (2 A per group)
Switching to	Negative/positive supply terminal

Analog inputs

Number	4, non-isolated
Type	Switchable (Voltage, Resistance, Current)
Resolution	10 bits, max 4 decimals
Range	0-5 V DC / 0-2500 Ω / 0-20 mA
Input impedance	>100 k Ω / >100 k Ω / 180 Ω
Accuracy	± 1 % of meas. value ± 5 mV ± 2 % of meas value ± 2 Ω ± 1 % of meas value ± 0.5 mA

Magnetic pick-up

Voltage input range	2 Vpk-pk to 50 Veff
Frequency input range	4 Hz to 15 kHz
Frequency measurement tolerance	0.2 %

Voltage regulator output

Type	5 V TTL PWM / ± 10 V DC with IG-AVRi interface
------	--

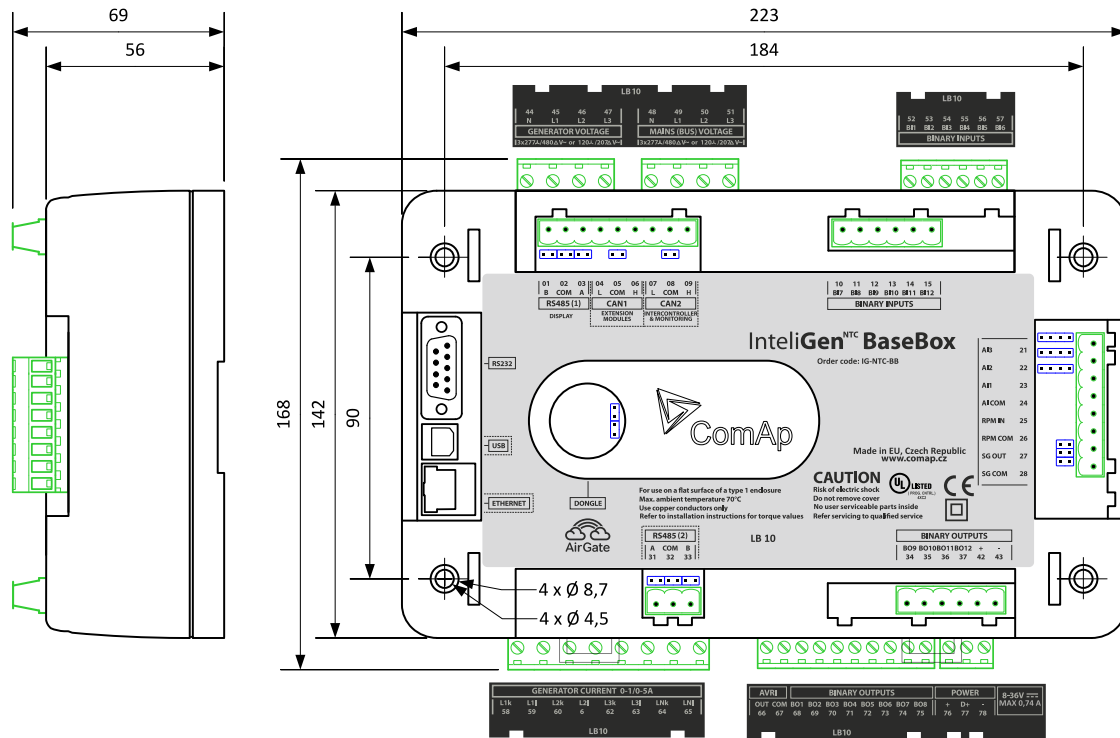
Speed governor output

Voltage output	± 10 V DC / max. 10 mA
Voltage output via resistor	± 10 V DC via 10 k Ω resistor / max. 1 mA
PWM	500÷3000 Hz / 5 V / max. 10 mA

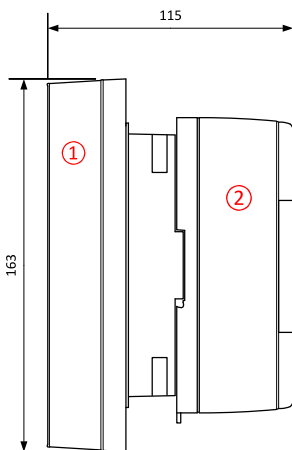
Communications

[[[Undefined variable TechnicalTerms.RS232]]]	Direct / Modbus, non-isolated
[[[Undefined variable TechnicalTerms.RS485]]]	Direct / Modbus, isolated
Display port	Non-isolated RS485, only terminal connection
[[[Undefined variable TechnicalTerms.USB]]]	Direct, Isolated port
Ethernet port	LAN/Internet, Modbus TCP, SNMP, WebServer, AirGate
[[[Undefined variable TechnicalTerms.CAN1]]]	External modules, 250 kbps, max 200 m, Isolated
[[[Undefined variable TechnicalTerms.CAN2]]]	Intercontroller and comm extensions, 250 / 50 kbps, max 200 / 1000 m, Isolated

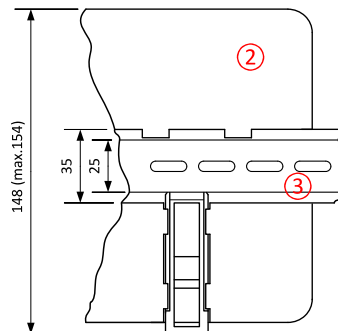
Dimensions, terminals and mounting



Panel door mounting with IntelliVision 5

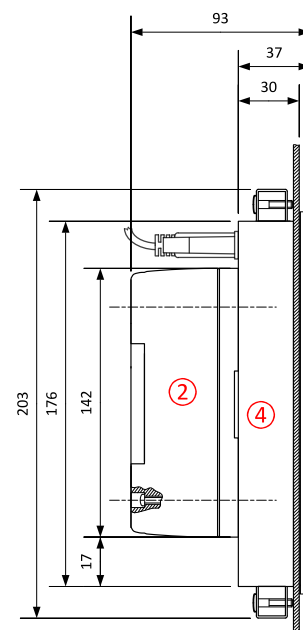


DIN-rail mounting



- ① IntelliVision5
- ② InteliGen-NTC-BaseBox
- ③ DIN-rail
- ④ IntelliVision 8

Panel door mounting with IntelliVision 8



Note: InteliGen^{NTC} BaseBox can be mounted on a standard DIN rail or, in combination with IntelliVision 5 or IntelliVision 8, it can be door mounted. IntelliVision 5 features mounting rail for direct mounting. Mounting in combination with IntelliVision 8 uses four screws provided in the InteliGen^{NTC} BaseBox package.

Available Extension modules

Product	Description	Order code
Inteli IO8/8	8 Binary inputs, 8 Binary outputs and 2 Analog outputs in a small unit (HW switchable to IO16/0)	I-IO8/8
Inteli IO8/8	HW switchable to IO16/0 - 16 Binary inputs packed in a small unit	I-IO8/8
Inteli AIN8	8 Analog inputs (R, I, V) and 1 pulse/frequency input in a small unit	I-AIN8
Inteli AIN8TC	8 Thermocouple Analog inputs in a small unit	I-AIN8TC
Inteli AIO9/1	9 Analog inputs (4x DC, 4x thermocouples, 1x R) in a small unit	I-AIO9/1
IS-AIN8	8 Analog inputs packed in a rugged metal unit	IS-AIN8
IGS-PTM	8 Binary inputs, 8 Binary outputs, 4 Analog inputs and 1 Analog output in a unit	IGS-PTM
IGL-RA15	15 Binary LED output (3 colors) packed in a rugged metal unit	IGL-RA15
I-AOUT8	8 Analog outputs packed in a rugged metal unit	I-AOUT8
InternetBridge-NT	Multiple Internet connections (PC and Modbus) to all controllers on CAN2 or RS485	IB-NT
I-LB+	Direct connection (PC) to all controllers on CAN2 or RS485	I-LB+

Related products




Product	Description	Order code
InteliVision 5	Color 5.6" display for monitoring and control	INTELIVISION 5
InteliVision 8	Color 8" display for advanced monitoring, control & trending, USB capable	INTELIVISION 8
InteliVision 12Touch	Color 12" touch display for advanced monitoring, control & trending, USB capable	RD1IV12TBZH
InteliVision 17Touch	Color 17" touchscreen display designed for complete monitoring and control of multiple controllers or cogeneration installation.	IV17T2
ECON-4	Digital speed governor dedicated for speed control of gas or diesel engines.	ECON-4

Functions and protections

The product fully supports functions and protections as defined by ANSI (American National Standards Institute). Examples are below. Other functions can be found in the IGS-NT Reference guide.

Description	ANSI code	Description	ANSI code	Description	ANSI code	Description	ANSI code
Synchronism check	25	Excitation loss	40	Overcurrent (IDMT)	51	AC reclosing	79
Undervoltage	27	Current unbalance	46	Earth fault current IDMT	51N+64	Overfrequency	81H

Certificates and standards

<ul style="list-style-type: none"> ▶ EN 60068-2-6 ed.2:2008 ▶ EN 60068-2-27 ed.2:2010 ▶ EN 60068-2-30, May 2000 	<ul style="list-style-type: none"> ▶ EN 60068-2-64 ▶ EN 61010-1:2003 			
List of standards is available on: https://webstore.iec.ch/				

