

DSE8004

10" COLOUR MULTI-SET REMOTE OVERVIEW DISPLAY

FEATURES



The Remote Overview Display module is designed for use with modules from the DSE86xx and DSE87xx range of Load Share Control modules*, giving a choice of display options suitable for a wide variety of applications. One (1) display overview module is connected to multiple compatible modules via a data communication link up to a maximum distance of 1.2 km on RS485.

This display module offers comprehensive large screen graphs, charts, metering, trend analysis, power display and engine status information in a clear image and text format.

User selectable display 'widgets' allow customisation of the lower part of the 10" screen.

* Compatible Modules

- DSE8610 Synchronising Auto Start Load Share Control Module
- DSE8620 Auto Mains Failure & Instrumentation Control Module
- DSE8660 Auto Transfer Switch & Mains Control Module
- DSE8710 Rear Mounted Synchronising Auto Start Load Share Control Module
- DSE8760 Rear Mounted Auto Transfer Switch & Mains Control Module

ENVIRONMENTAL TESTING STANDARDS

ELECTRO MAGNETIC COMPATIBILITY

BS EN 61000-6-2
EMC Generic Immunity Standard for the Industrial Environment
BS EN 61000-6-4
EMC Generic Emission Standard for the Industrial Environment

ELECTRICAL SAFETY

BS EN 60950
Safety of Information Technology Equipment, including Electrical Business Equipment

TEMPERATURE

BS EN 60068-2-1
Ab/Ae Cold Test -30°C
BS EN 60068-2-2
Bb/Be Dry Heat +70°C

VIBRATION

BS EN 60068-2-6
Ten sweeps in each of three major axes
5 Hz to 8 Hz at +/-7.5 mm, 8 Hz to 500 Hz at 2 GN

HUMIDITY

BS EN 60068-2-30
Db Damp Heat Cyclic 20/55 °C at 95% RH
48 Hours
BS EN 60068-2-78
Cab Damp Heat Static 40 °C at 93% RH
48 Hours

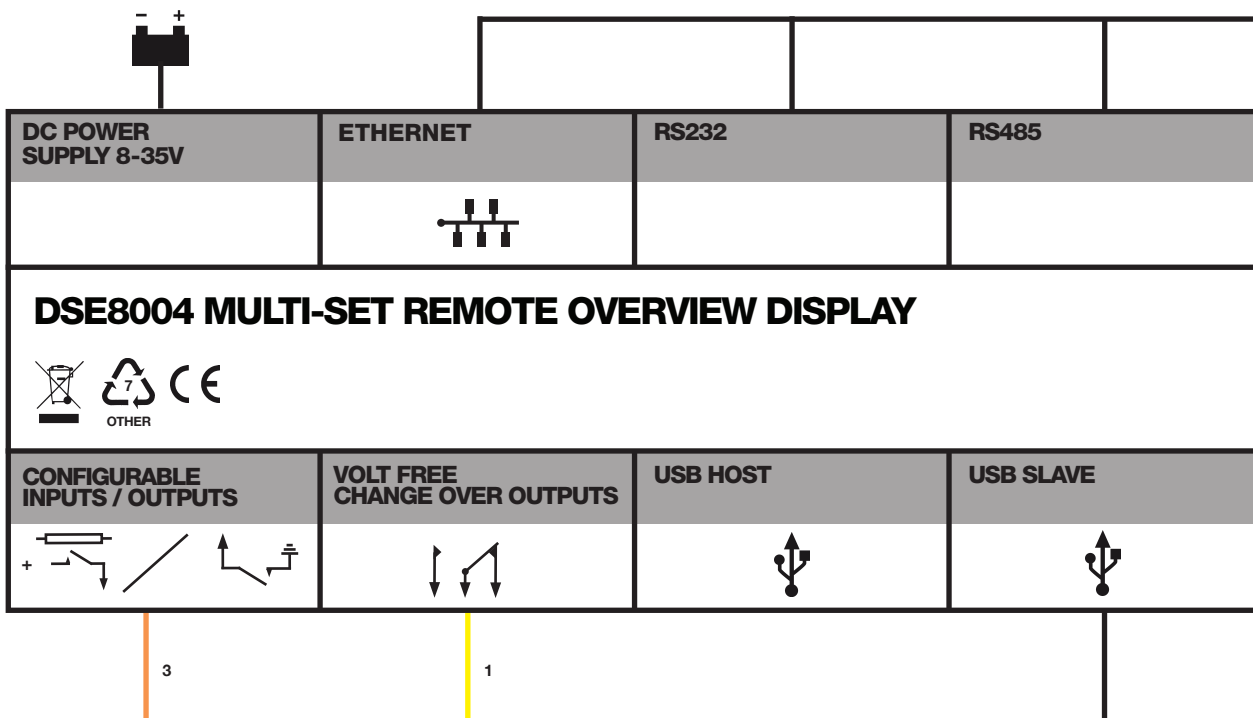
SHOCK

BS EN 60068-2-27
Three shocks in each of three major axes
15 GN in 11 mS

DEGREES OF PROTECTION PROVIDED BY ENCLOSURES

BS EN 60529 IP65 - Front of module when installed into the control panel with the supplied sealing gasket.

COMPREHENSIVE FEATURE LIST TO SUIT A WIDE VARIETY OF LOAD SHARE APPLICATIONS



TO COMPATIBLE MODULES *
For further information please see operators manual.

DSE8004

10" COLOUR MULTI-SET REMOTE OVERVIEW DISPLAY

FEATURES



KEY FEATURES WHEN CONNECTED TO COMPATIBLE MODULES

- Multiple modules (up to a maximum of 20) within the same load sharing system can be viewed
- Touch-screen enabled
- RS232, RS485 and Ethernet communications
- Audible alarm
- Front panel mounting
- Protected front panel configuration
- Configurable display options
- Remote system monitoring
- Trend Analysis
- Configurable graphical user interface with software 'widgets'

KEY BENEFITS

- Compatible with DSE86xx and DSE87xx Load Share Modules
- Data communication link allows remote system management
- 800 x 480 pixel screen for high clarity

SPECIFICATION

DC SUPPLY

CONTINUOUS VOLTAGE RATING
8 V to 35 V continuous

CRANKING DROPOUTS

Able to survive 0 V for 50 mS, providing supply was at least 10 V before dropout and supply recovers to 5 V. This is achieved without the need for internal batteries

MAXIMUM STANDBY CURRENT

824 mA at 12V, 412 mA at 24V

MAXIMUM OPERATING CURRENT

883 mA at 12V, 436 mA at 24V

INPUTS/OUTPUTS A TO C

INPUTS

Negative switching

OUTPUTS

2 A DC at supply voltage

OUTPUT D

Changeover volt-free output
8 A AC at 250 V AC

DIMENSIONS

OVERALL

405 mm x 241 mm x 42 mm
15.7" x 9.2" x 1.7"

PANEL CUTOUT

359 mm x 204 mm
14.1" x 8.0"

DISPLAY SIZE

210 mm x 160 mm

8.3" x 6.3"

Diagonal - 265 mm (10.5")

STORAGE TEMPERATURE RANGE

-40 °C to +85°C
-40 °F to +185 °F

OPERATING TEMPERATURE RANGE

-30 °C to +70 °C
-22 °F to +158 °F

RELATED MATERIALS

TITLE

DSE8004 Installation Instructions
DSE8004 Colour Remote Display Manual
DSE8005 SCADA Suite Manual
DSE8610 Data Sheet
DSE8620 Data Sheet
DSE8660 Data Sheet
DSE8710 Data Sheet
DSE8760 Data Sheet

PART NO'S

053-171
057-134
057-128
055-083
055-099
055-086
055-184
055-090

DEEP SEA ELECTRONICS PLC UK

Highfield House, Hunmanby Industrial Estate, Hunmanby YO14 0PH
TELEPHONE +44 (0) 1723 890099 **FACSIMILE** +44 (0) 1723 893303
EMAIL sales@deepseapl.com **WEBSITE** www.deepseapl.com

DEEP SEA ELECTRONICS INC USA

3230 Williams Avenue, Rockford, IL 61101-2668 USA
TELEPHONE +1 (815) 316 8706 **FACSIMILE** +1 (815) 316 8708
EMAIL sales@deepseausa.com **WEBSITE** www.deepseausa.com